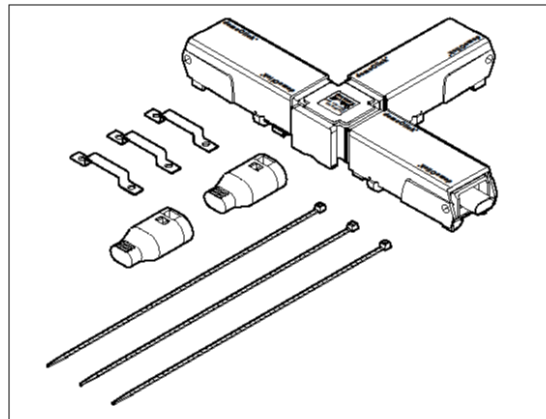


## DOMOCLICK™ FAST CONNECTOR

### DOMOCLICK™- DHB-103

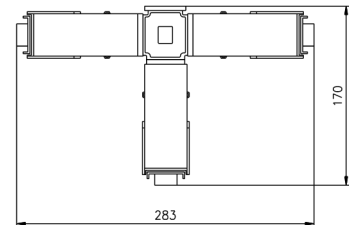


#### DOMOCLICK™ DHB-103 T DERIVATION

DOMOCLICK™ T derivation set for the junction between three heating tapes (for example for a T derivation or extending a circuit).

#### COMPOSITION

1. T derivation
2. 2 terminals
3. 3 heat-resistant ligatures
4. 3 stirrups for wall mounting
5. Self-adhesive labels “electric supply” and “terminal”



#### EASY

Eltrace heating tapes are supplied and connected between themselves with a minimum of manipulations. Only a knife is needed to strip the band ends. The different clicks are made up of only three parts.

#### SURE

The mounting stages are visible and easily controllable. The upper and lower blades guarantee a sure contact.

#### FAST

It takes only a few minutes to assemble the Click, for it involves only four stages:

1. Insert the band into the cover and the metal cone
2. Strip the band end.
3. Insert the heating tape into the Click.
4. Push the lever and shut the cover.

#### INSTALLATION PRESCRIPTIONS

The installation of bands, connections to DOMOCLICK™ connectors to connection boxes will be carried out according to the rules of the trade. Before going ahead with work on electric tracers, care will be taken to isolate them from the mains. The DOMOCLICK™ connection and junction techniques are approved if used together with self-adjusting Eltrace heating tapes. Eltrace guarantees correct working only in relation with the mentions heating tapes. Through the direct mounting onto the pipe, DOMOCLICK™ uses less heating tape. As a general rule, DOMOCLICK™ is fixed to the pipe with the supplied ligatures. DOMOCLICK™ can also be fixed to the wall with supplied stirrups. The supply cable is to be directly connected into the DOMOCLICK™. Any exterior supply, junction or derivation box is thus avoided. In anti-frost installations for gutters, DOMOCLICK™ must not be installed in a gutter or on the roof, but in a sheltered position under the roof or eave. DOMOCLICK™ can be installed directly on pipes with a service temperature of less than 70°C. Short periods at 80°C are admitted. Important : for admitted temperatures of heating tapes, refer to the technical data

DOMOCLICK™ incorporated into pipe insulation. All supply points, junctions and terminals must remain accessible. Electrical supply points and terminals must be indicated with the supplied self-adhesive labels.

#### PRODUCT QUALIFICATION

CE

